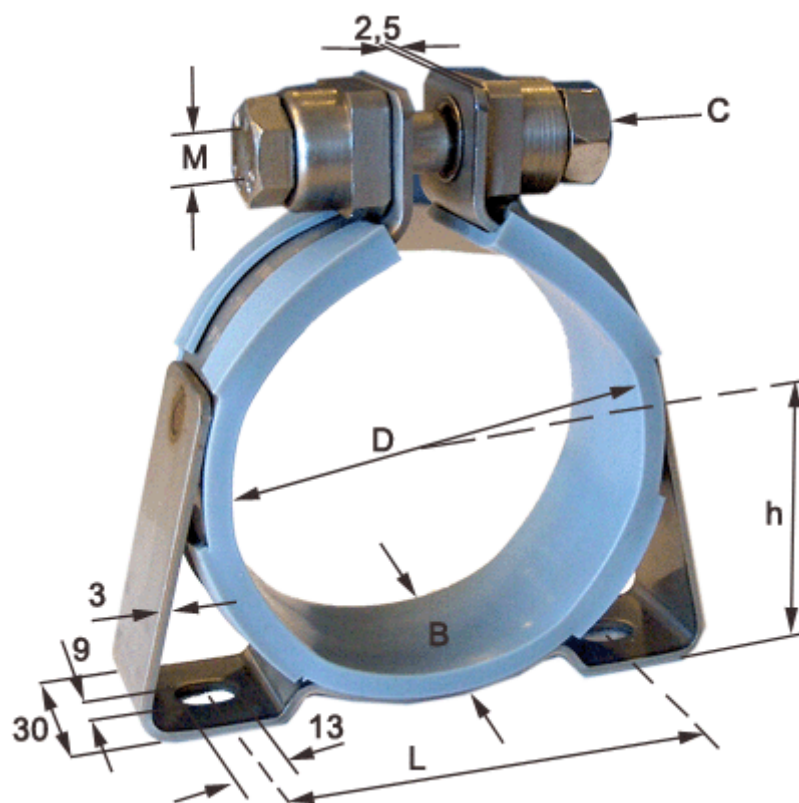


Article number: 021816011191

Description: Clamp with bracket and rubber  
SPGU 6011. 191/30 SK

## Measures



C (screw type) = SK hexagon screw

Diameter D = 191

h = 104

L = 148

Width B = 30